

Within 360° optics

Introduction

VisionXtreme's Within 360° optical setup offers a revolutionary machine vision solution to inspect the 360 degree surface of the internal wall using one camera to capture a single image to process any defects.

Main Features

- Single camera, single image solution
- Faster processing speed
- Non-Contact and no moving parts
- Random orientation of parts
- No space constraint
- Lower cost Vs Multiple camera solution



Available in 2 different standard models

- W360-0816
- W360-0511

Applications involve

- Inspecting internal thread
- Inspecting internal hole surfaces
- Inspecting blind holes

Sample Objects



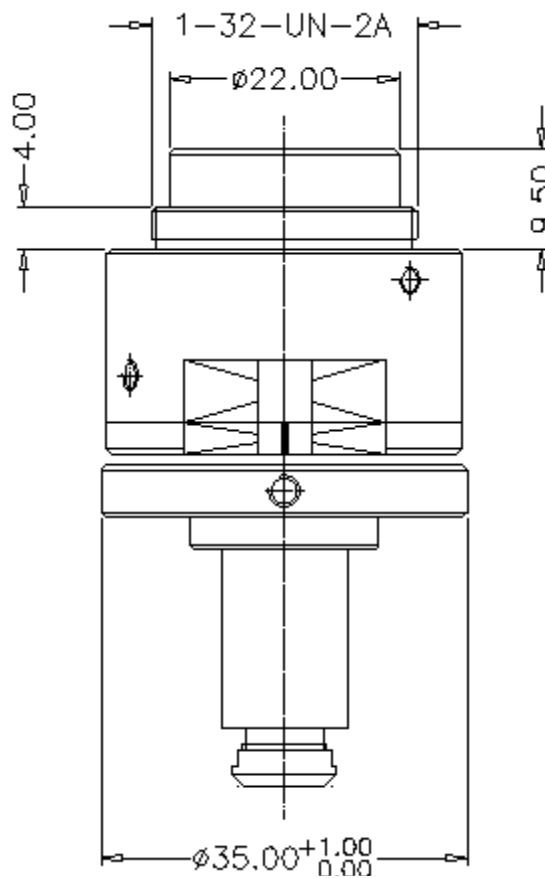
Technical details

Specifications:

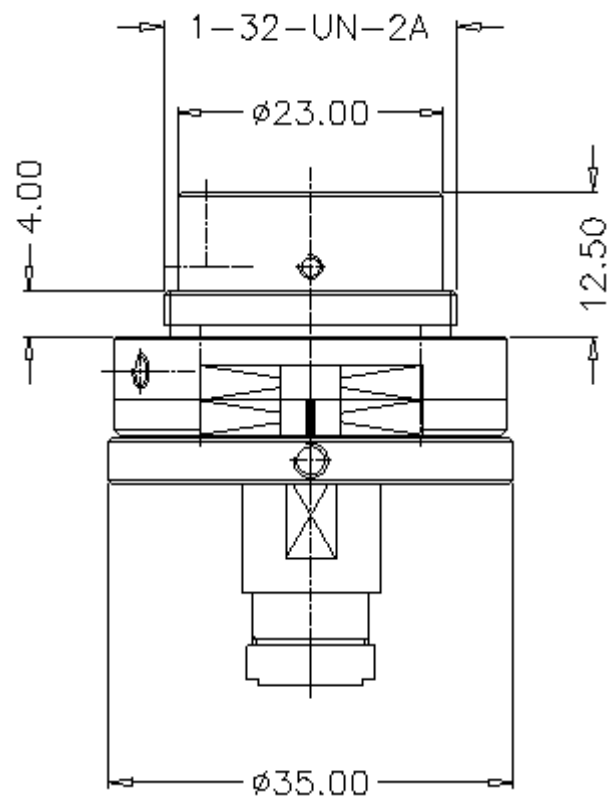
	W360-0511	W360-0816
Internal Hole Diameter	5mm - 11mm	8mm - 16mm
For threaded part	M6 -M12	M10 -M18
Depth	Up to 11mm	Up to 16mm
Camera mounting type	C-Mount	C-Mount

Optics Dimensions (MM):

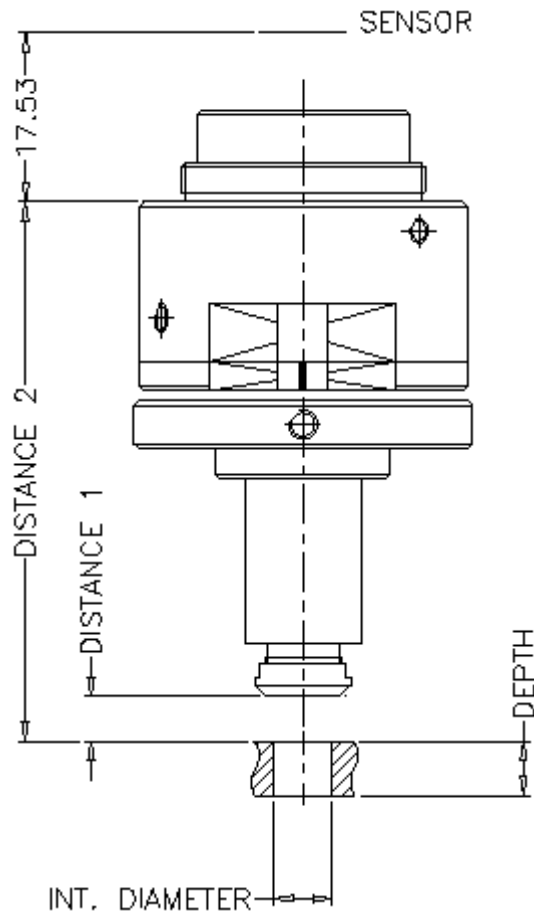
W360-0511



W360-0816

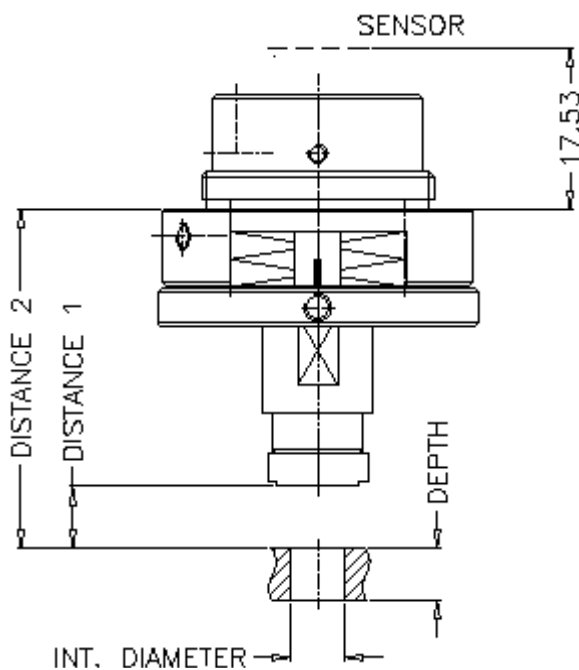


Working Distances (W360-0511):



ALL DIMENSIONS IN MM UNLESS OTHERWISE STATED (TOL: ± 0.5)			
INT. DIAMETER	DEPTH	DISTANCE 1	DISTANCE 2
5.00	6.25	4.30	58.70
8.00	7.00	5.75	58.85
8.80	8.50	7.13	58.78
7.80	9.00	8.73	60.13
8.50	10.00	9.71	60.98
9.50	10.60	11.73	62.84
10.20	12.75	12.93	64.00

Working Distances (W360-0816):



ALL DIMENSIONS IN MM UNLESS OTHERWISE STATED (TOL: ± 0.5)			
INT. DIAMETER	DEPTH	DISTANCE 1	DISTANCE 2
8.00	8.00	6.76	36.90
10.00	10.00	8.84	38.59
12.00	12.00	10.54	40.03
14.00	14.00	13.14	42.45
16.00	16.00	13.54	42.71